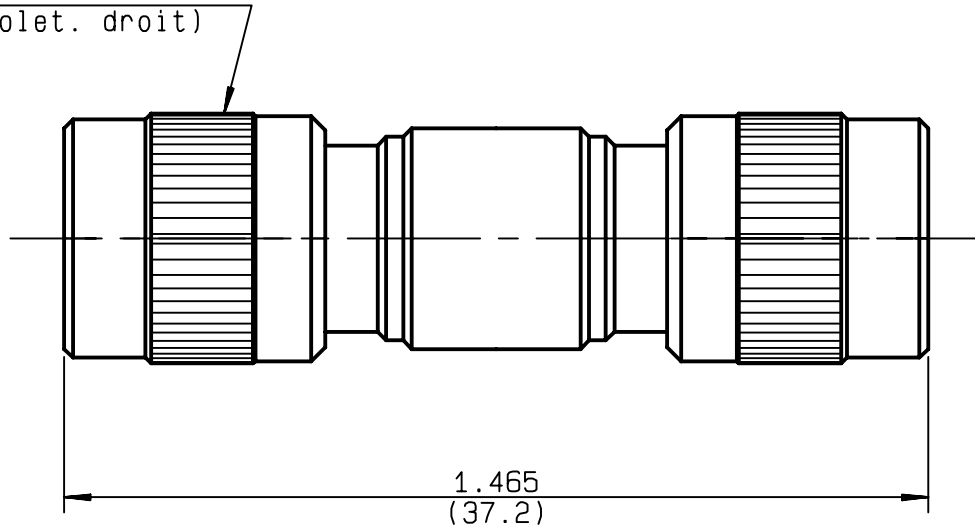


**MALE-MALE ADAPTOR**

**R129.703.215**

**SERIES V1.6-5.6**

DIA .425/straight knurl  
(ø10.8/molet. droit)



NOMINAL IMPEDANCE	<b>75</b> Ω	CABLES :		
FREQUENCY RANGE	<b>0-1</b> GHz			
TEMPERATURE RATING	<b>-40/+155</b> °C			
V.S.W.R	<b>1.10</b> + x F(GHz)Maxi			
RF INSERTION LOSS	$\sqrt{F}$ (GHz) dB Maxi			
VOLTAGE RATING	<b>330</b> Veff Maxi			
DIELECTRIC WITHSTANDING VOLTAGE	<b>1000</b> Veff Mini			
INSULATION RESISTANCE	<b>10000</b> MΩMini		OTHERS CHARACTERISTICS	
HERMETIC SEAL	<b>NA</b> Atm.cm <sup>3</sup> /s		CABLE RETENTION	<b>NA</b> N Mini
LEAKAGE (pressurized only)	<b>NA</b>		CENTER CONTACT RETENTION	
MECHANICAL DURABILITY	<b>1000</b> Cycles	Axial force - mating end	<b>30</b> N Mini	
WEIGHT	gr	Axial force - opposite end	<b>30</b> N Mini	
SPECIFICATION		Torque	cm.N Mini	
		RECOMMENDED TORQUES		
		Mating	cm.N	
		Panel nut	<b>NA</b> cm.N	
		Clamp nut	<b>NA</b> cm.N	

CONNECTOR PARTS	MATERIALS	FINISH	(all values are given ) in micrometers
BODY	BRASS	NICKEL 2	
OUTER CONTACT	PHOSPHOR BRONZE	GOLD 1.3 OVER NICKEL 2	
CENTER CONTACT	BRASS	GOLD 1.3 OVER NICKEL 2	
INSULATOR	PTFE	-	
GASKET		-	
OTHERS PIECES			

ISSUE	CREATION DATE	FILE PART-NUMBER
<b>9943B02</b>	<b>20/03/1984</b>	<b>EPC 96-04</b>



PERRIN

The information given here is subject to change without notice.  
Design changes may be in order to improve the product .

*Connect to the future*